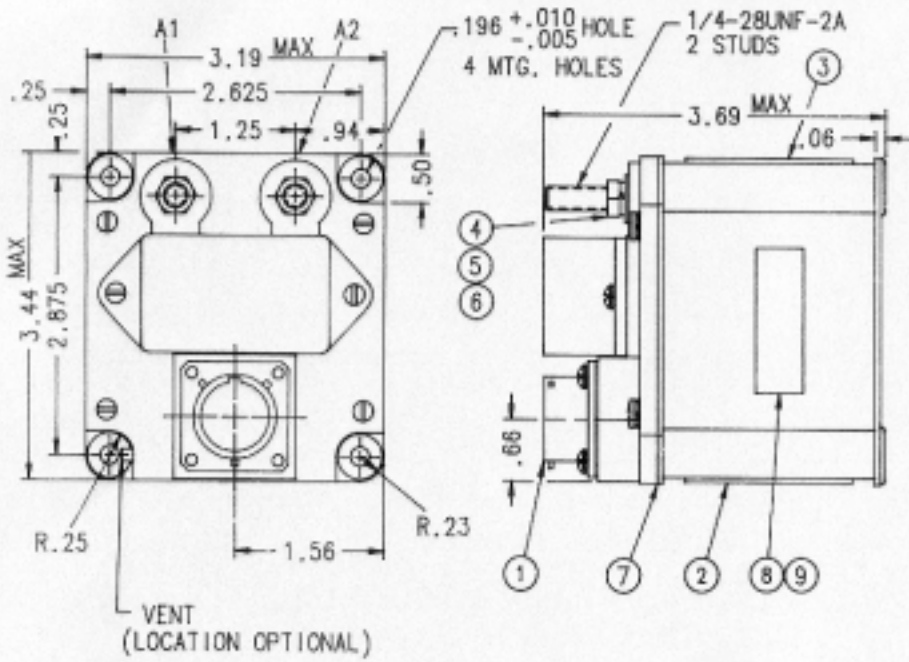


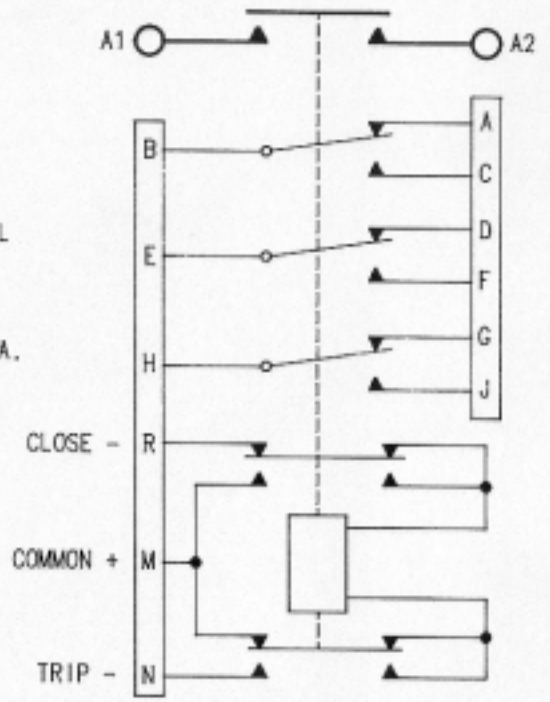
FAA/PMA

REVISIONS			RELEASED	
SYM	DESCRIPTION	DATE	APPROVED	
J	21823 REDRAWN, UPDATE PARTS LIST	04-09-92		
K	21985 ITEM 6 REMOVED MS20341-416S	07-09-92		
L	25509 ITEMS 8 & 9 ADDED	02-02-94		



NOTES:

1. THE CONTACTOR SHALL CONFORM TO THE REQUIREMENTS OF MIL-R-6106E TO THE EXTENT SPECIFIED HEREIN.
2. FORMAL VERIFICATION OF COMPLIANCE OF THIS DRAWING TO MIL-R-6106E SHALL BE TO THE EXTENT SPECIFIED BY HARTMAN DOCUMENT NO. QR-538 AM.
3. TERMINALS SHALL MEET THE REQUIREMENTS OF MIL-R6106F PARAGRAPH 3.4.8. MAIN TERMINAL MATERIAL IS STAINLESS STEEL.
4. MATERIAL IDENTIFICATION ⑦ BASE-POLYSTER RESIN, TYPE MAI-60 PER MIL-M-14F. CONTACT CHAMBER ⑧ ZYTEL 101, MIL-M-20693A. COVER-ALUMINUM.
5. REMOVE PAINT FROM BOTTOM OF MTG. PADS.
6. TERMINAL IDENTIFICATION *A1* & *A2* TO BE INK STAMPED IN 3/16 HIGH LETTERS ON EDGE OF POLYESTER BASE & IN LINE WITH BUS BARS.



CONSTRUCTION
 MAIN CONTACTS
 CONFIGURATION
 VOLTAGE (NOMINAL)
 CURRENT: RES.
 RUPTURE
 AUXILIARY CONTACTS
 CONFIGURATION
 VOLTAGE (NOMINAL)
 CURRENT: RES.
 IND.
 LAMP

CLASS A5 TYPE2/MIL-R-6106E EXCEPT AS NOTED
 GASKET SEALED (VENTED)
 SPST NO MAGNETIC LATCHING
 28 VDC
 200 AMP
 2000 AMP
 3PDT
 28 VDC
 5 AMP
 5 AMP
 3 AMP

COIL DATA
 DUTY CYCLE
 NOM. COIL VOLTAGE
 CLOSE MAX
 TRIP MAX
 COIL RES.
 CURRENT

SELF DE-ENERGIZING
 INTERMITTENT
 28 VDC
 16 VDC AT 25°C
 16 VDC AT 25°C
 60 OHM AT ±20% AT 25°C
 0.58 AMP AT 25°C AT 28 VDC

ENVIRONMENTAL DATA
 AMBIENT TEMP
 VIBRATION SINE
 ACCELERATION
 SHOCK
 ALTITUDE
 LIFE ELECTRICAL
 MECHANICAL
 MAX WEIGHT

-55°C TO +71°C
 0.06 INCH DA FROM 10 TO 55 HZ
 2 G'S FROM 55 TO 500 HZ
 10 G'S
 25 G'S MAX FOR 6 TO 9 M SEC.
 50,000 FEET MAX
 50,000 CYCLES MIN.
 100,000 CYCLES MIN.
 2 LBS 4 OZ.

QTY REQD	PART OR IDENTIFYING NO	NOMENCLATURE OR DESCRIPTION	DRAWING OR SPECIFICATION	MATERIAL OR NOTE
9	1	39529-024	OVERLAY	
8	1	58400-118	PLATE-FAA/PMA	
7	1	29630-010	CONTACTOR ASSEMBLY-PRIMARY	
6	2	50407-051	NUT-1/4-28 X 3/8 X 1/8 HEX.	STEEL
5	2	51703-081	WASHER-1/2 X 17/64 X .032	AN960-416L STEEL
4	2	51807-041	WASHER-1/4 SPLIT LOCK	MS35338-44 STEEL
3	1	29404-001	PLATE-WIRING DIAGRAM	
2	1	16043-001	PLATE-NAME	
1	1	52514-008 (REF)	CONNECTOR	MS3112E-14-19P

UNLESS OTHERWISE SPECIFIED DIMENSIONS ARE IN INCHES TOLERANCES ON

±.06	±.010	±.1"
------	-------	------

2 PL DEC. 13 PL DEC. ANGLES

REF. DOUGLAS **CMM**

DR BY	BLS	02-14-94
CHK BY	RW	3/23/94
ENGR	PW	3/23/94
MFG	GSD	2/02/97

RELEASE _____
 CONTR NO. _____
 GOVT APPVL _____

HARTMAN ELECTRICAL MANUFACTURING
 MANSFIELD, OHIO

CONTACTOR SPST N.O. MAGNETIC LATCHING 200 AMPS. 28VDC

SIZE	CODE IDENT	DWG NO.
C	74063	A-1074

093
 SCALE NONE SHEET